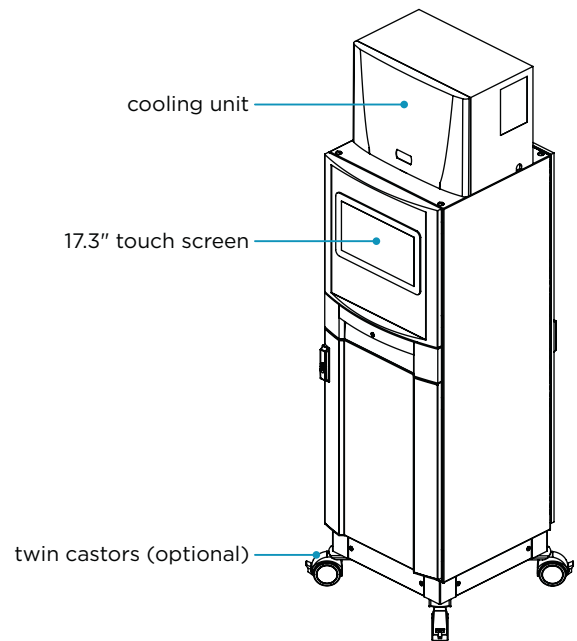
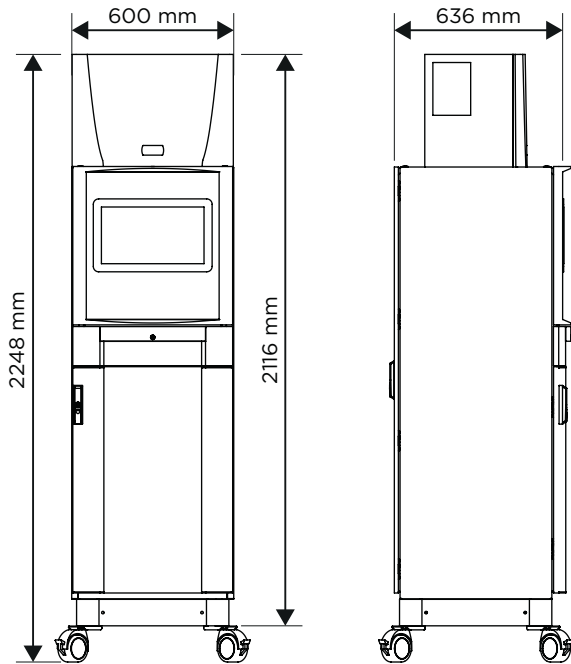


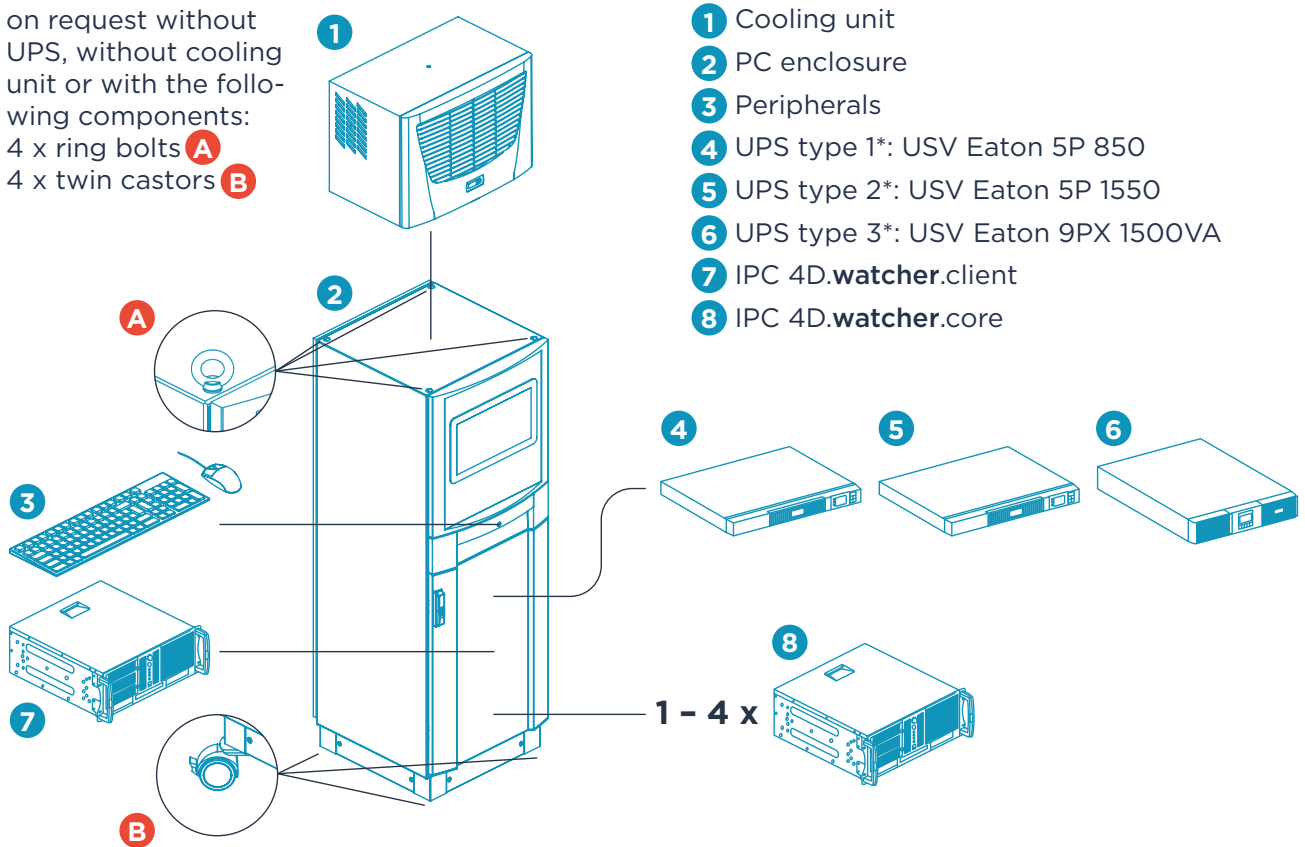
**ARTICLE NUMBER 1-028-XXX****TECHNICAL DRAWING****INSTALLATION REQUIREMENTS**

- free of heavy dirt, aggressive atmospheres and moisture
- the front side of the PC enclosure maintains a distance of at least 800 mm from other devices or walls
- with a maximum inclination of 2°
- with cooling: location with an ambient temperature of +10 °C to +55 °C
- without cooling: location with an ambient temperature of +10 °C to +35 °C
- fuse must be 16 A

+49 511 235 947 0  
sales@4d-photonics.com

**SYSTEM OVERVIEW**

on request without UPS, without cooling unit or with the following components:  
 4 x ring bolts **A**  
 4 x twin castors **B**



\* for more information about UPS types see below

**ARTICLE NUMBERS**

	1-028-											
	030	031	032	033	034	035	036	037	038	039	040	041
<b>Input voltage</b>	115 V	230 V	230 V	115 V	230 V	230 V	115 V	230 V	230 V	115 V	230 V	230 V
<b>Cooling unit</b>	.	.	.	.	.	.	.	.	.	.	.	.
<b>UPS</b>	Type 3	Type 1	Type 1	Type 3	Type 1	Type 1	Type 3	Type 2	Type 2	Type 3	Type 2	Type 2
<b>Number of 4D.watcher.cores</b>	1	1	1	2	2	2	3	3	3	4	4	4
<b>Keyboard</b>	QWERTZ	QWERTY	QWERTZ	QWERTZ	QWERTY	QWERTZ	QWERTZ	QWERTY	QWERTZ	QWERTZ	QWERTY	QWERTZ

**SPECIFICATIONS**

**PC Enclosure**

<b>IP protection category</b>	IP 34
<b>Ambient temperature while operating</b>	0 - 40 °C
<b>Noise emission</b>	<60 dB
<b>Dimensions</b>	
<b>Width</b>	600 mm
<b>Height</b>	636 mm
<b>Depth</b>	2116 mm

+49 511 235 947 0  
 sales@4d-photonics.com

**Uninterruptible Power Supply (UPS)****UPS Type 1 | USV Eaton 5P 850****Electrical properties**

<b>Power capacity</b>	850 VA/600 W
<b>Voltage and frequency (output)</b>	230 V (+6/-10 %), 50/60 Hz

**Connection**

<b>Input</b>	1x IEC C14
<b>Output</b>	4x IEC C13
<b>Switched outlet group</b>	2 outlet groups

**Battery**

<b>Typical backup time at 50 % load and at 70 % load</b>	12/7 min (time during which the load can be supplied by the UPS operating on battery power)
----------------------------------------------------------	---------------------------------------------------------------------------------------------

**Communication**

<b>Communication ports</b>	1 USB port + 1 RS232 serial port and relay contacts (USB and RS232 ports cannot be used simultaneously), 1 mini terminal block for remote ON/OFF and Remote Power Off
----------------------------	--------------------------------------------------------------------------------------------------------------------------------------------------------------------------

**UPS Type 2 | USV Eaton 5P 1550****Electrical properties**

<b>Power capacity</b>	1550 VA/1100 W
<b>Voltage and frequency (output)</b>	230 V (+6/-10 %) (adjustable to 200 V / 208 V / 220 V / 230 V / 240 V), 50/60 Hz $\pm 0.1$ % (autosensing)

**Connection**

<b>Input</b>	1x IEC C14
<b>Output</b>	6x IEC C13
<b>Switched outlet group</b>	2 outlet groups

**Battery**

<b>Typical backup time at 50 % load and at 70 % load</b>	13/8 min (time during which the load can be supplied by the UPS operating on battery power)
----------------------------------------------------------	---------------------------------------------------------------------------------------------

**Communication**

<b>Communication ports</b>	1 USB port + 1 RS232 serial port and relay contacts (USB and RS232 ports cannot be used simultaneously), 1 mini terminal block for remote ON/OFF and Remote Power Off
----------------------------	--------------------------------------------------------------------------------------------------------------------------------------------------------------------------

**+49 511 235 947 0**  
[sales@4d-photonics.com](mailto:sales@4d-photonics.com)

**UPS Type 3 | USV Eaton 9PX 1500VA****Electrical properties**

<b>Power capacity</b>	1500 VA/1350 W
<b>Nominal voltage</b>	120 V default (100/110/120/125 V)

**Connection**

<b>Input</b>	5-15P
<b>Output</b>	8x 5-15R

**Battery**

<b>Typical backup time at 100 % load</b>	26 min (time during which the load can be supplied by the UPS operating on battery power)
------------------------------------------	-------------------------------------------------------------------------------------------

**Communication**

<b>Communication ports</b>	MiniSlot + 1 USB port + 1 serial RS232 port + 1 mini-terminal block for remote ON/OFF + 1 mini-terminal block for remote power off + 1 mini-terminal block for output relay-Communication slot
----------------------------	------------------------------------------------------------------------------------------------------------------------------------------------------------------------------------------------

**COOLING**

<b>Cooling performance</b>	0.47 kW - 0.79 kW
<b>Air throughput (unimpeded air flow)</b>	External circuit: 800 m <sup>3</sup> /h Internal circuit: 585 m <sup>3</sup> /h
<b>Rated operating voltage</b>	230 V, 1~, 50 Hz/60 Hz 115 V, 1~, 50 Hz/60 Hz
<b>Operating temperature range</b>	+10 °C - +55 °C
<b>Rated power P<sub>el</sub></b>	0.33 kW - 0.49 kW

+49 511 235 947 0  
sales@4d-photonics.com