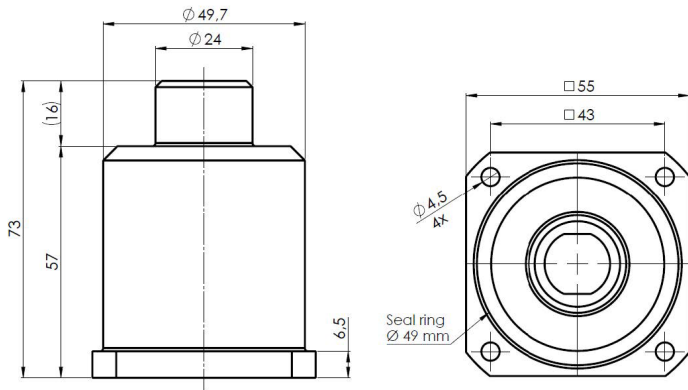
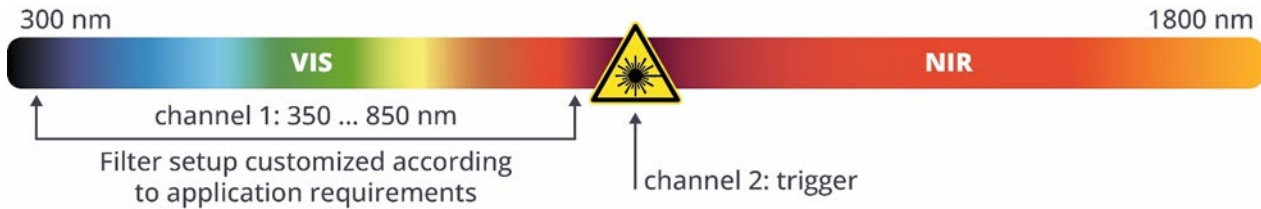


**TECHNICAL DRAWING**



**SPECTRAL RANGE**



**PHOTOSENSITIVITY**



**SPECIFICATIONS**

Dimensions w/o adapter and cable	WHD 55/73/55 mm
Weight	220 g
Protection class	IP68
Recommended integration	Laser processing head
Mechanical connection	4x M4 (□43 mm)
Electrical connection	ODU 10-pin

**ACCESSORIES**

Required	Sensor cable 30 m (ODU/m - RJ45/m)
Required	Adapter (several solutions available and customized solutions on request)
Optional	Sensor cable 20 m (ODU/m - ODU/f) for robotic use