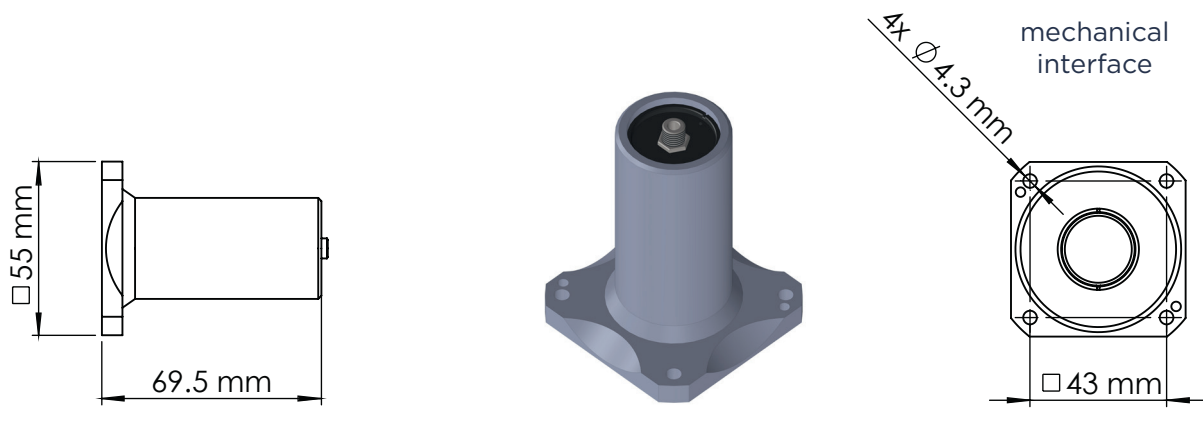


ARTICLE NUMBER 1-003-072

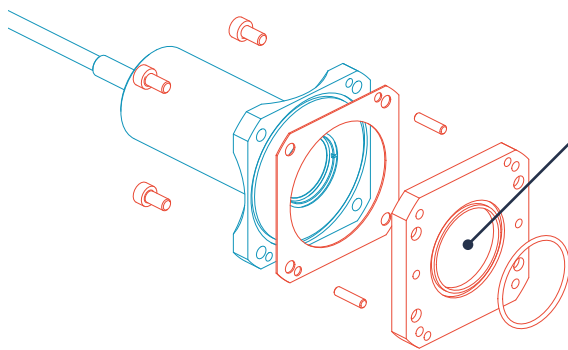
TECHNICAL DRAWING



SPECIFICATIONS

Dimensions w/o adapter and cable	LxWxH 55x55x69.5 mm
Weight	~ 130 g
Optical connection	SMA

INTEGRATION



Adapters for fiber coupler integration to processing head

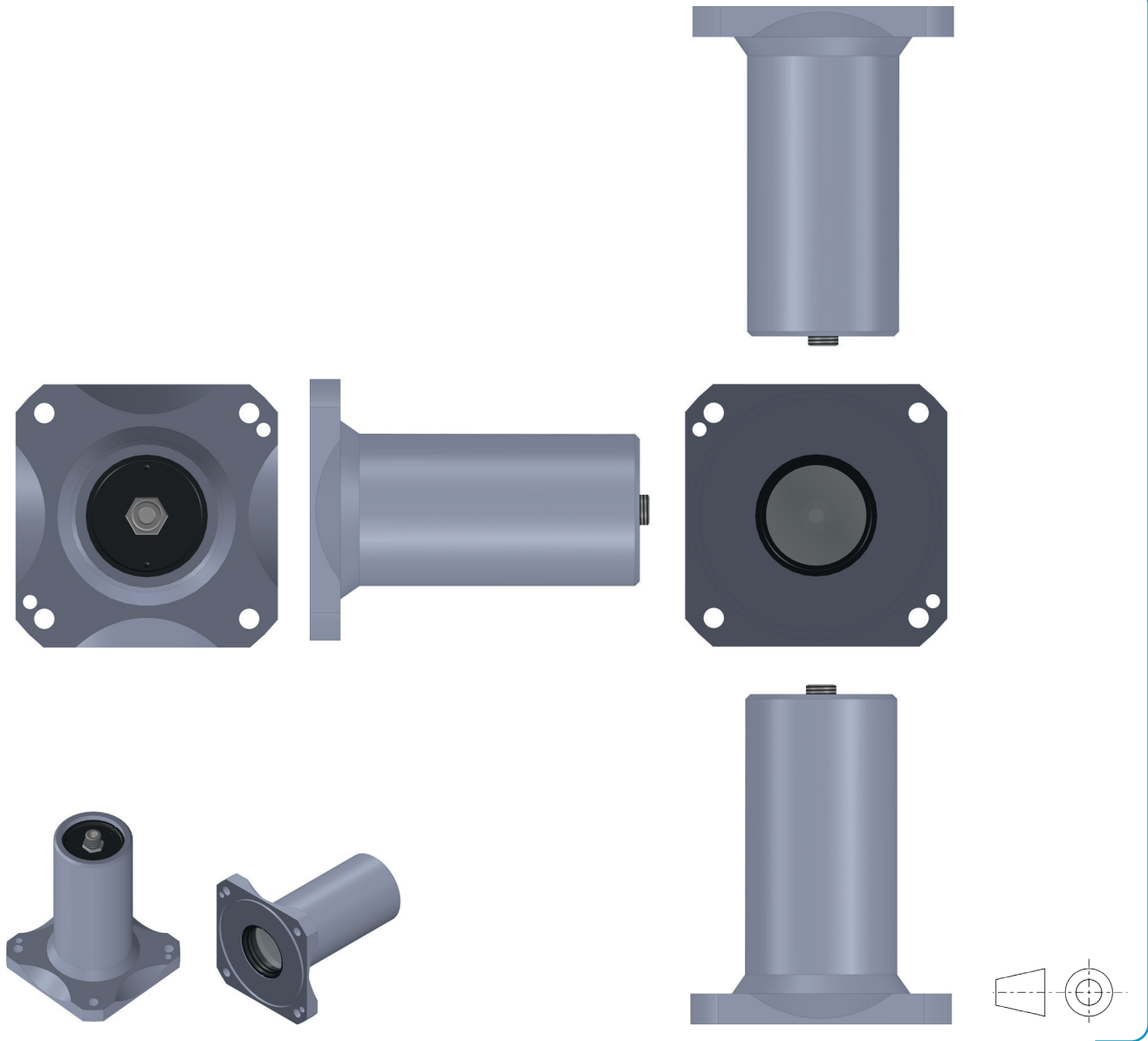
- (C-MOUNT & SM1)
- HIGHYAG
- JPT
- LASERLINE
- PRECITEC
- RAYLASE
- SCANLAB
- SCANSONIC
- TRUMPF
- ...

NOTES

- › Additional optical filters can be installed.
- › The focal plane is preset in the laboratory, but it can be optimized on site.
- › The use of the alignment pins is optional.

+49 511 235 947 0
sales@4d-photonics.com

■ **PRODUCT VIEWS**



+49 511 235 947 0
sales@4d-photonics.com